



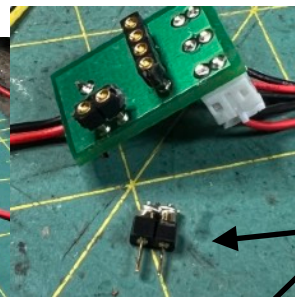
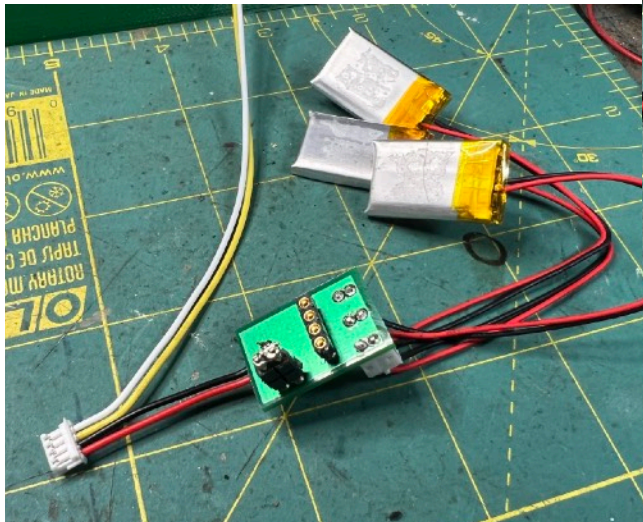
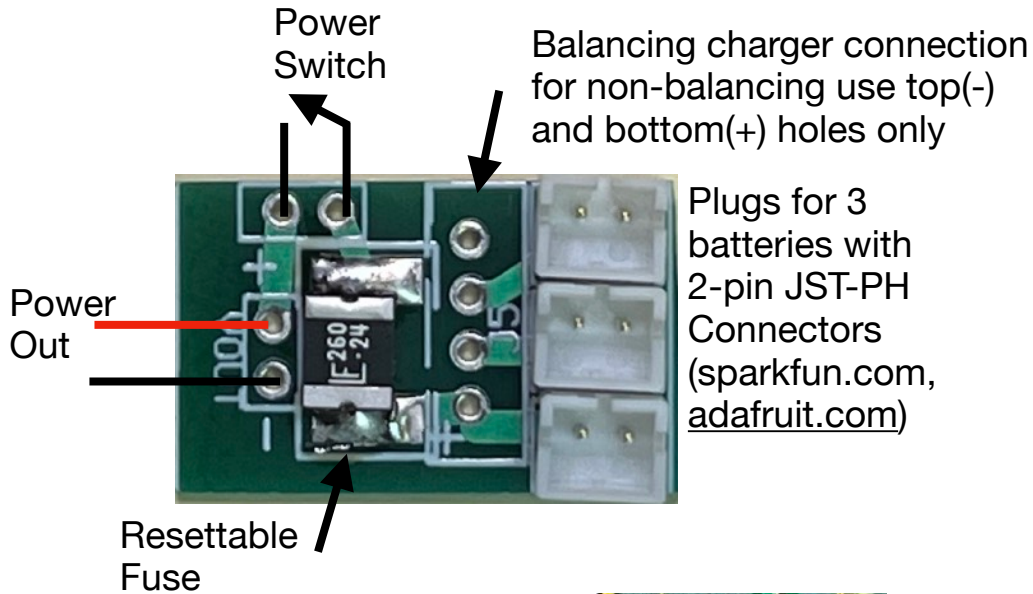
Tam Valley Depot Battery Buddy

Hook up Board for Battery Power for Dead Rail

Made in the USA

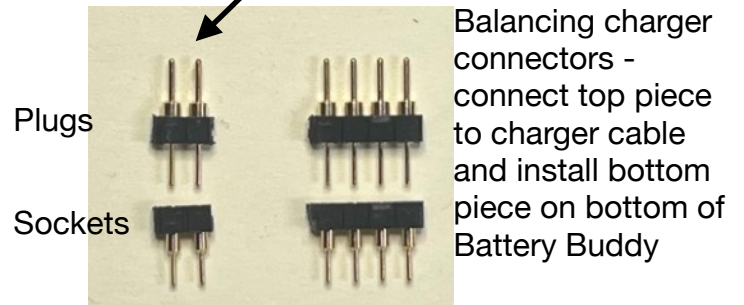


Ideal for use with
Bluerail DCC Battery
Power



Power Switch example - plug in to power on

To make power plug, wrap wire, solder and trim



With SIC connectors installed on bottom ready for installation in locomotive. Power plug is in ON position

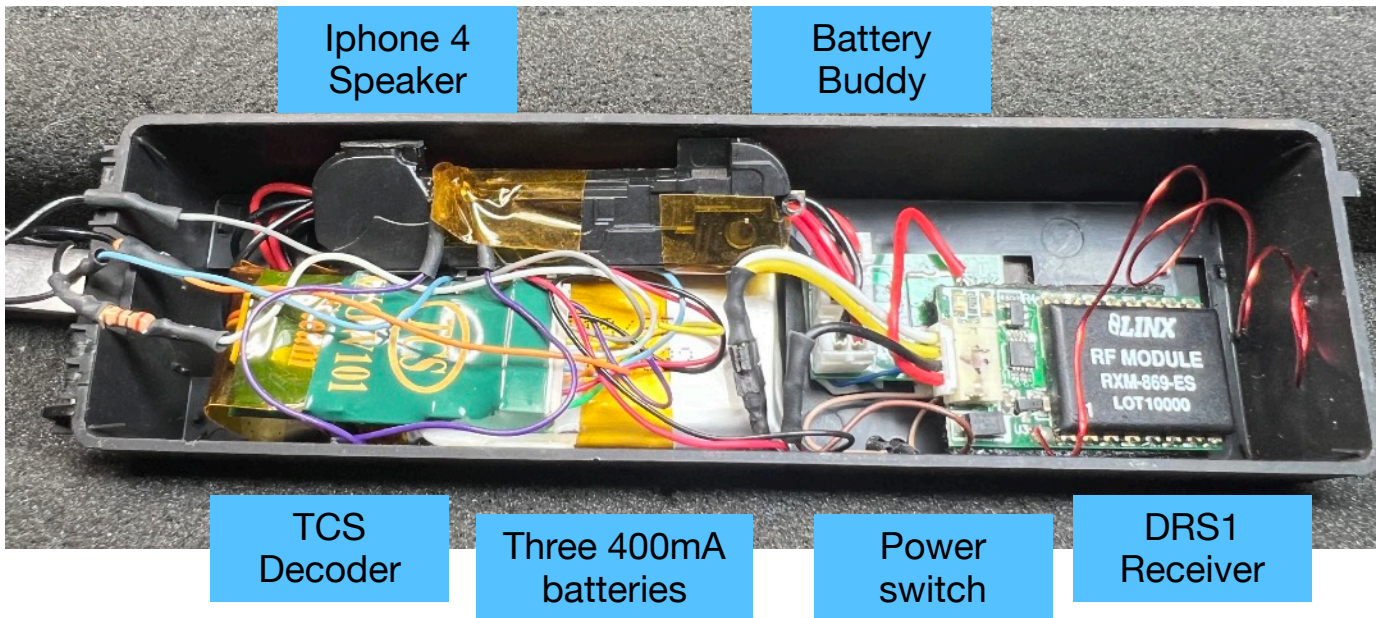
Can also use lengths of wire to attach sockets for more flexible installations



Example installation in BLI steam tender. Power plug is shown in on position



Charging with Tenergy balancing charger. Note that power plug is off. Leaving on will confuse charger and result in overcharging.



For more help see TamValleyDepot.com
or email dmcree@tamvalleyrr.com

Designed in California for
the Dead Rail Society

